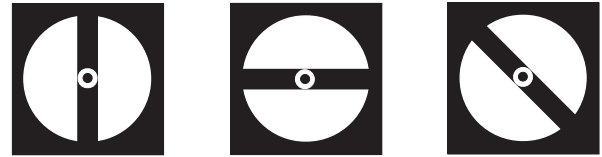


# Contact Position Indicators for Direct Voltage or Alternating Voltage 45 ... 65 Hz

## Glossy Black Bezel

Front Dimensions	25 x 25	25 mm Dia.	32 mm Dia. 1)
Type	Stq 1	St 1	St 2
Weight in kg, Approx.	0.07	0.07	0.07
Nominal Insulation Voltage	250V	250V	250V
Test Voltage	1.5 kV	1.5 kV	1.5 kV
Front Housing-Panel Protection	IP 52	IP 52	IP 52
Fasteners	round nut	round nut	round nut

1) Snap on bezel included (36 x 36 mm)



## Description

Contact Position Indicator for Remote Indication of Contact Positions at Power Plants and Switching Stations  
Can also be used advantageously as a target indicator in mimic diagrams.

## Display

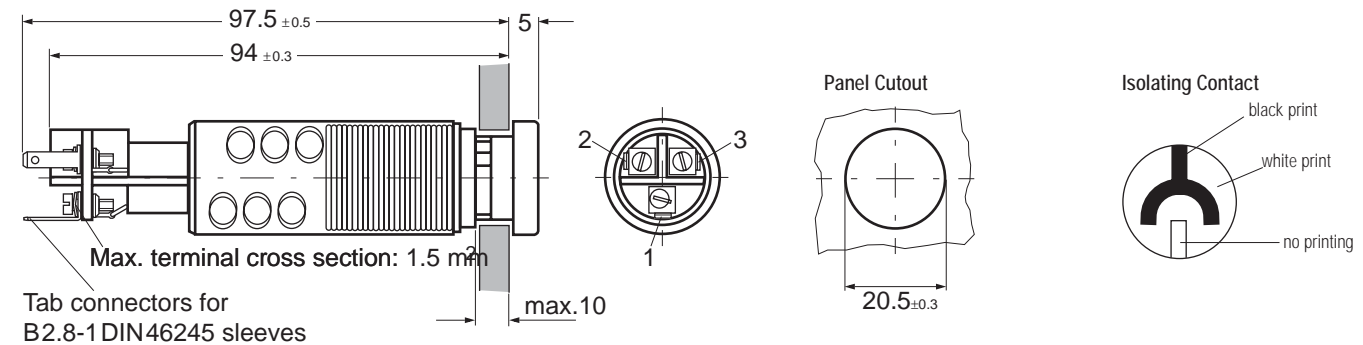
Three different displays are included: "On", "Off" and "Error" or "Disabled".

## Mechanical Design

Housing Material Polycarbonate, self-extinguishing per UL 94 V-2  
Terminals Tab connectors, 2.8x0.8 mm  
Contact Protection Available as option

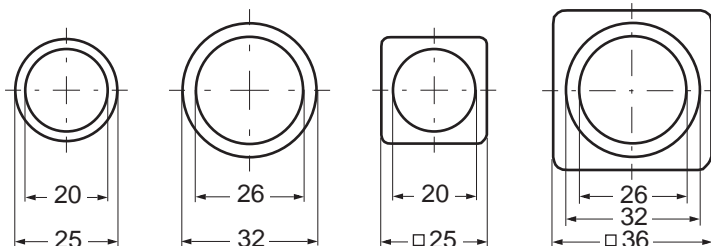
Dimensional Drawing no. 1323A16

## Dimensions



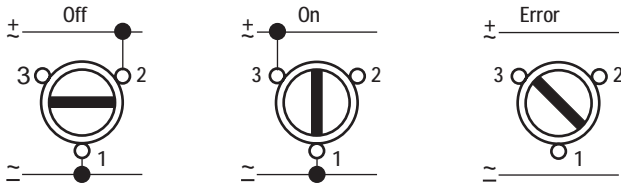
## Front Panel Dimensions

Bezel snaps on to 32 mm diameter front ring.



Code: B0

Graphic Symbols

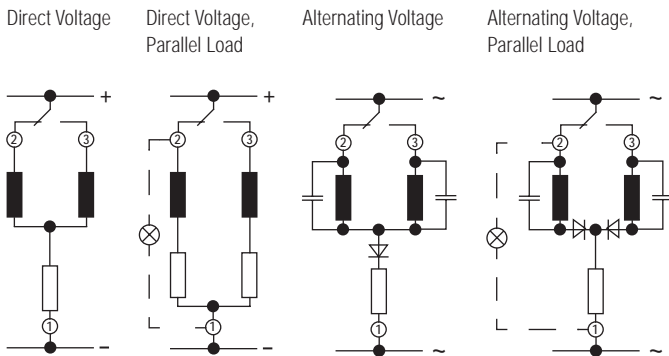


Order Example:

Contact Position Indicator, 25 x 25 mm Front Dimensions,  
for Alternating Voltage 220 ... 230 V

Technical Data	Order No.
Type: Stq 1	1108B, B2, IL726

Schematic Diagrams



The following applies for the preparation of order information:  
Only one identifier with a given letter sequence may be selected.  
Order numbers containing N (standard model) need not be included.

	Front Dim., mm	25 x 25	25 mm dia.	32 mm dia.		Front Dim., mm	25 x 25	25 mm dia.	32 mm dia.
	Type	Stq 1	St 1	St 2		Type	Stq 1	St 1	St 2
	Order no. ➔	1108B	1280B	1281B		Order no. ➔	1108B	1280B	1281B
	+ ↓					+ ↓			
<b>Direct Voltage</b>	<b>B1</b>	+	+	+	<b>Alternating Voltage</b>	<b>B2</b>	+	+	+
24 V (0.3 W) <sup>1)</sup>	IL 224	+	+	+	24 V (0.3 VA) <sup>1)</sup>	IL 624	+	+	+
48 V (0.3 W) <sup>1)</sup>	IL 248	+	+	+	48 V (0.3 VA) <sup>1)</sup>	IL 648	+	+	+
60 V (0.4 W) <sup>1)</sup>	IL 260	+	+	+	60 V (0.4 VA) <sup>1)</sup>	IL 660	+	+	+
110 V (0.6 W) <sup>1)</sup>	IL 511	+	+	+	110 V (0.6 VA) <sup>1)</sup>	IL 311	+	+	+
125 V (0.7 W) <sup>1)</sup>	IL 512	+	+	+	220 ... 230 V (1.4 VA) <sup>1)</sup>	IL 726	+	+	+
220 V (1.0 W) <sup>1)</sup>	IL 522	+	+	+					
<b>Movement Variants <sup>2)</sup></b> with parallel load	<b>INH 1</b>	+	+	+		<b>INH 1</b>	+	+	+
<b>Scale Variants <sup>2)</sup></b> with isolation contact	<b>GA 2</b>	+	+	+		<b>GA 2</b>	+	+	+
<b>Housing Variants <sup>2)</sup></b> conditionally tropic-proof	<b>LB 1</b>	+	+	+		<b>LB 1</b>	+	+	+
full contact protection	<b>VB 2</b>	+	+	+		<b>VB 2</b>	+	+	+

1) Nominal voltage tolerance: ±20 %  
2) Applies to all types of direct and alternating voltage